

Care and Cleaning

⚠ Caution: Always tighten all fasteners securely and inspect fasteners regularly for tightness.

1. Clean with mild detergent and water using damp cloth.

Air Dry.



2. Check all fasteners and retighten as needed.

Notices

If patient experiences any skin irritation or severe discomfort contact your healthcare professional or medical technician.

If any serious incident or injury occurs please contact Therafin Corp and the competent authority for your country

Product is made of materials which can be disposed of safely without special precautions.

Warranty

Any product found to be defective due to the material or workmanship within one year will be replaced under our return policy following product evaluation by Therafin Corporation. This replacement warranty does not include misuse or neglect of the product.

Document 08612

Revision B 06-2021



EMERGO EUROPE
Prinsessegracht 20
2514 AP The Hague
The Netherlands



Therafin Corporation
9450 W Laraway Road
Frankfort, IL 60423 USA
800-843-7234
www.therafin.com

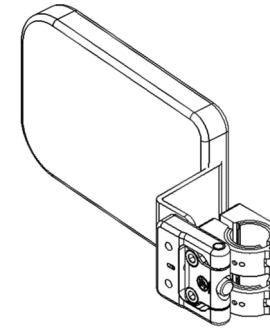


Lateral Thoracic Support

2. English

50021

50022



Use: To provide support to help maintain an upright torso while seated.

⚠ Caution: Read Instructions before operating device.

⚠ Caution: Device should be installed by a trained wheelchair technician.

⚠ Caution: Use caution when installing, removing or adjusting device to avoid pinching or trapping fingers.

⚠ Caution: Always tighten all fasteners securely and inspect fasteners regularly for tightness.

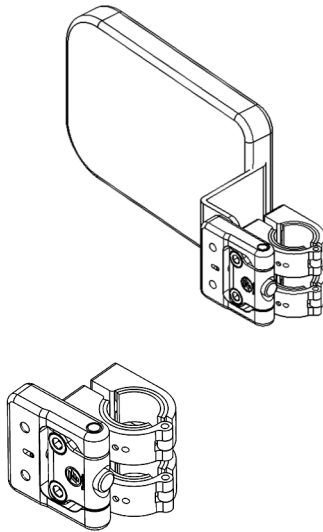
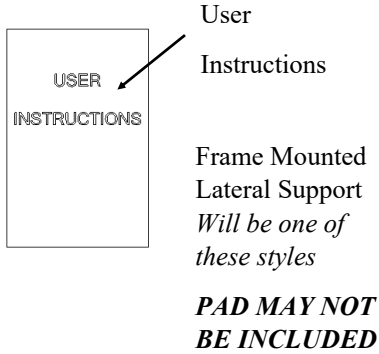
⚠ Caution: Watch for pinch points.



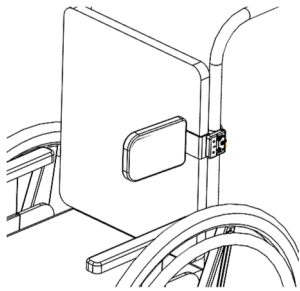
Document 08612

Revision B 06-2021

Product Identification



Product Installed :

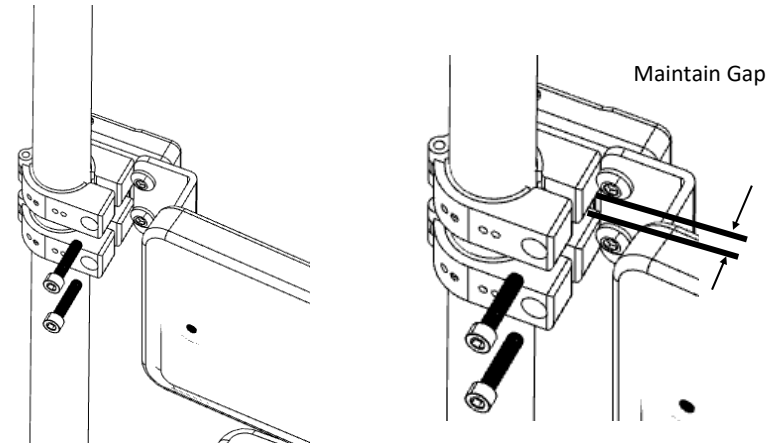


To Install :

Attach the 2 Hinged Collars to the chair cane. Use all 4 semi-circular spacers inside each Hinged Collar for a 7/8" cane, or 2 semi-circular spacers inside each Hinged Collar for a 1" cane.

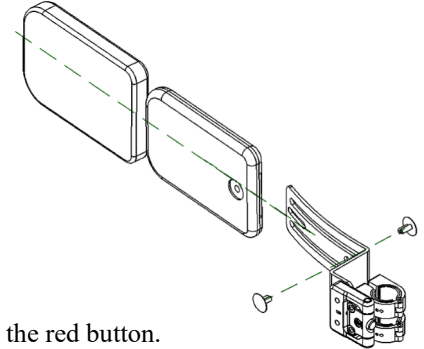
IMPORTANT: Squeeze the Hinged Collars in place and install the bolts STRAIGHTTHROUGH THEM!

IMPORTANT: DO NOT OVERTIGHTEN the Hinged Collars! When attached to the cane, A GAP WILL REMAIN BETWEEN THE TWO SIDES OF THE COLLAR.



To Remove Pad:

Remove Cover, Remove Rivet



To Operate:

To swing away lateral support push the red button.

